

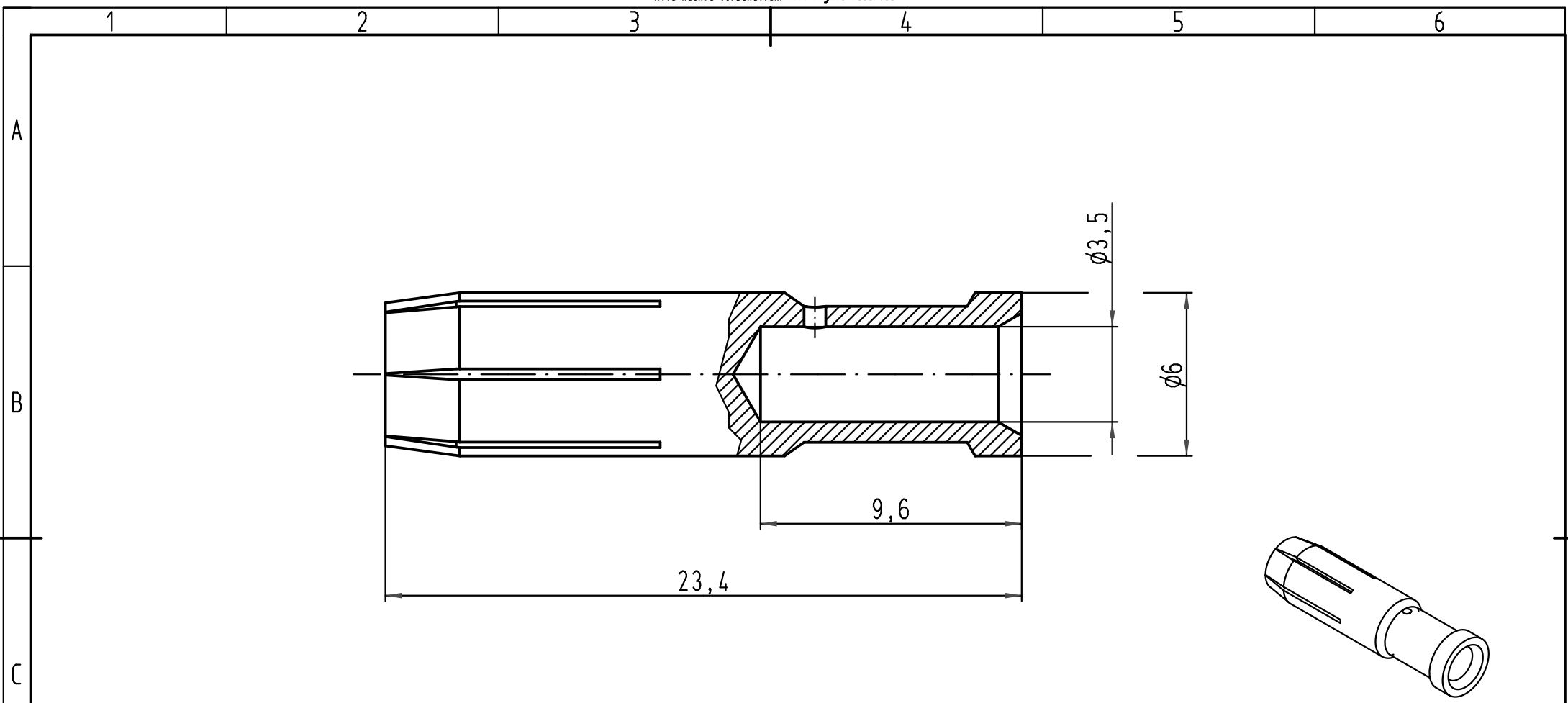


# Product details

**09 32 000 6208**

**Female contact**

Contact type	Power contact Han® K 12/2 + 6/36
Cross section	6.0 mm <sup>2</sup>
Plating	Silver plated
Application	browsing..
Series	Han® Q
RoHS compliant	Yes



Leiterquerschnitt / wire gauge: 6mm<sup>2</sup> / AWG 10  
 Abisolierlänge / stripping length: 9,5mm

All Dimensions in mm Original Size DIN A 4			Techn. Character.			Nicht tolerierte Masse/ Free size tolerances			
				Dat.	Name	Massstab/ Scale <b>5:1</b>	Han C Buchsenkontakt, gedreht 40A Han C female contact, turned 40A versilbert / silver plated		
			Detail.	20.12.05	Ho				
			Insp.		SP				
			Stand.						
413759	20.03.08	Rull	HARTING Electric GmbH & Co. KG				<b>TB 09 32 000 6208</b>		Blatt/ page
411928			D-32339 Espelkamp						
Mod.	Dat.	Name					Sub. TB 09 32 000 620. v. 18.06.99		